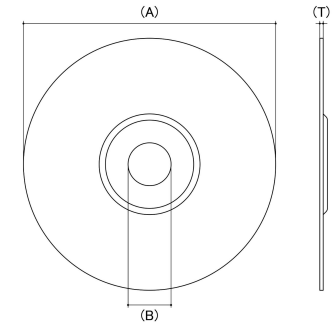


Cutting Disc A60

Country Of Origin: Germany / EU

Brand: Klingspor

Application: Stainless Steel, Steel & Non Ferrous Metals



CAD drawings shown for graphic representation only.*

Size (A) (mm)	Thickness (T) (mm)	Bore (B) (mm)	Max Operating Speed	sku (qfind)
	Nom	Nom		
100	1.00	16.00	80 m/s	16CD100116A60TZ
100	1.60	16.00	80 m/s	16CD1001616A46TZ
115	1.00	22.20	80 m/s	16CD11512223A60TZ
115	1.60	22.20	80 m/s	16CD115162223A46TZ
125	1.00	22.20	80 m/s	16CD12512223A60TZ
125	1.60	22.20	80 m/s	16CD125162223A46TZ
180	1.60	22.20	80 m/s	16CD180162223A46TZ
230	1.90	22.20	80 m/s	16CD230192223A46TZ

Disclaimer:

Dimensional data and technical information was obtained from publically available sources and not acquired through standard agencies. It has been completed and compiled for reference purposes only; where discrepancies are found they are subject to change without notice. Bolt & Nut Australia makes no warranties or representations regarding the accuracy and validity of the compiled information and data. Contact the relevant standard authorities for accurate and detailed information.

* CAD drawings may not reflect diameter, thread length or overall length.

© Bolt & Nut Australia Pty Ltd. All rights reserved.

Version: 18 Mar 2024